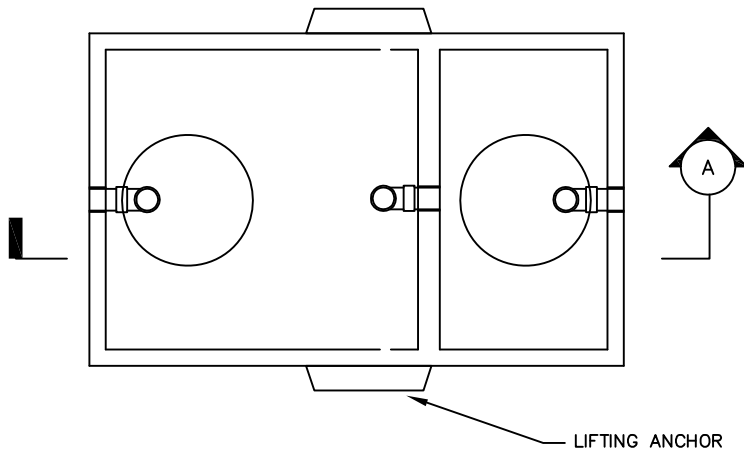
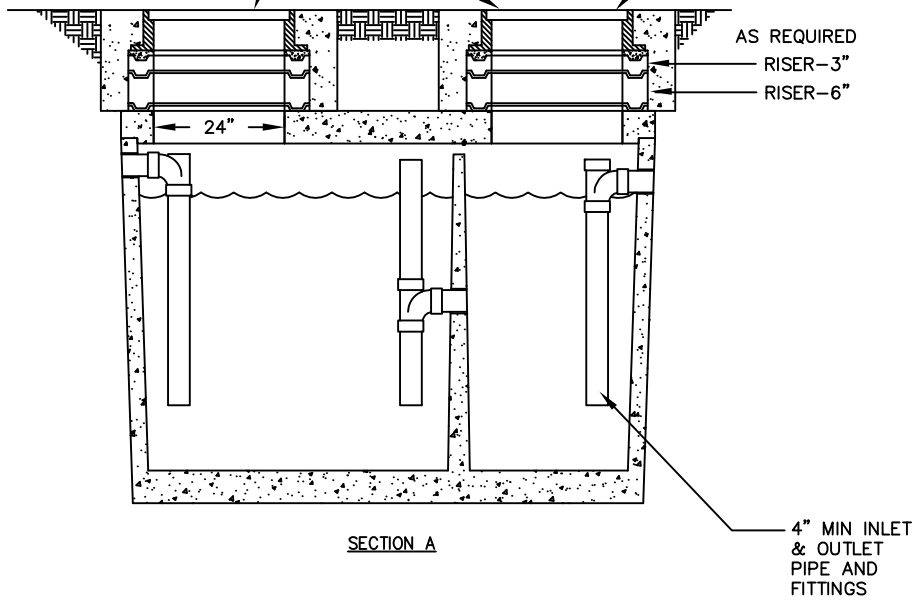


24" CAST IRON FRAME & COVER
WITH GASKET REFER TO DETAIL
[SS-01 & SS-02]

TEXT ON MANHOLE SHOULD READ
"GREASE INTERCEPTOR" TYPICAL OF
2.



PLAN VIEW
(COVERS & RISERS NOT SHOWN)

NOTES:

1. LIQUID CAPACITY: [AS SPECIFIED BY DESIGN ENGINEER]
2. INLET/OUTLET SIZE: [AS SPECIFIED BY DESIGN ENGINEER]
3. BOX DESIGN LOAD: H-20 TRAFFIC FROM 1' TO 6' OF SOIL COVER.

NOTES TO DESIGN PROFESSIONAL:

1. VERIFY AND EDIT TEXT IN BRACKETS [].