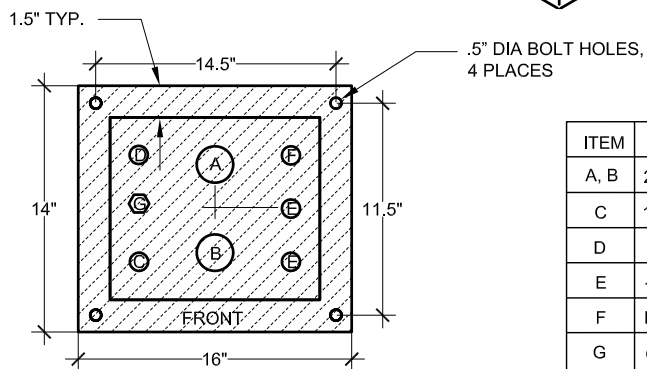


PEDESTAL MOUNTING:



ITEM	DESCRIPTION
A, B	2" CONDUIT - STATION WIRING
C	1" CONDUIT - COMMUNICATION
D	AC POWER CONDUIT
E	1" CONDUIT - SENSOR WIRING
F	EXTERNAL ANTENNA
G	GROUNDING ROD (CONDUIT ONLY)