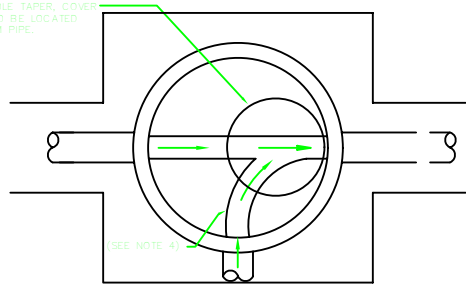


NOTES:

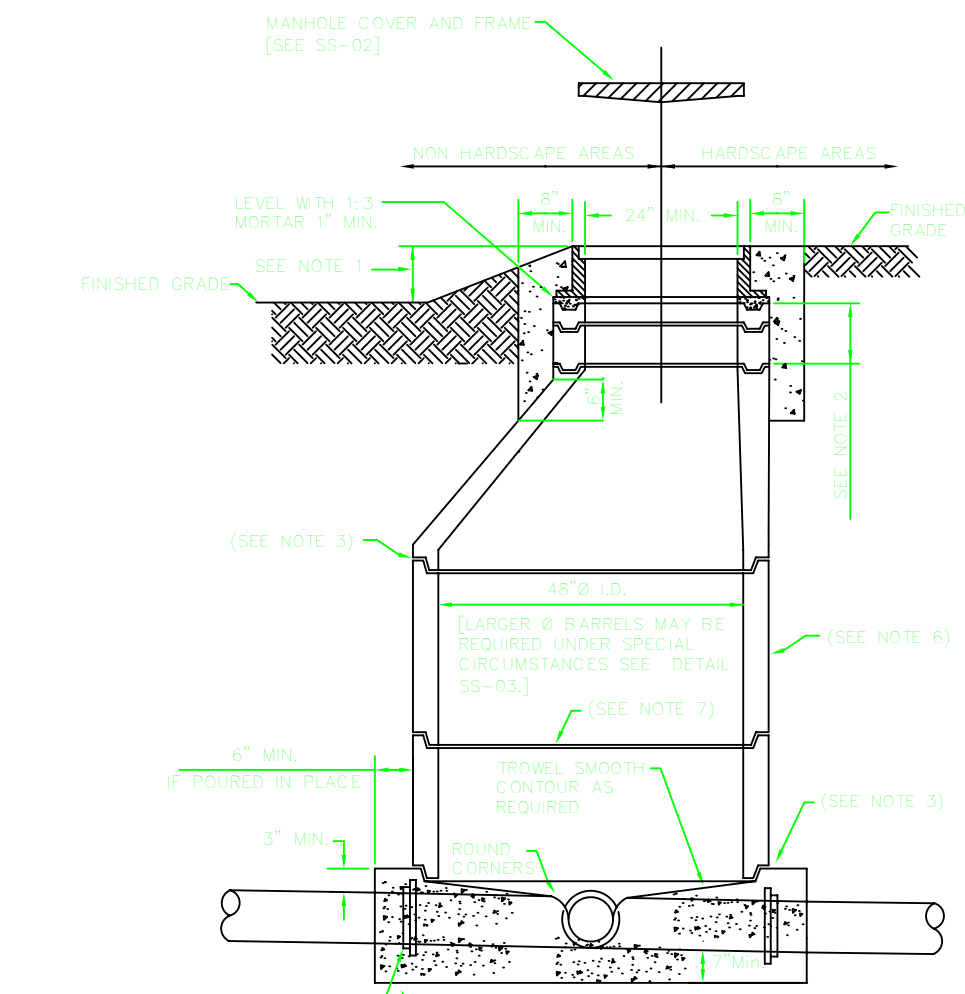
1. WHEN MANHOLES ARE INSTALLED IN UNIMPROVED AREAS, THE TOP OF THE COVER SHALL BE A MIN. OF 6" ABOVE GRADE (1.5" IN DG AREAS). SLOPE 1:1.2 TO MATCH FINISH GRADE.
2. MIN. OF ONE 3" GRADE ADJUSTMENT RING. MAX. HEIGHT OF GRADE ADJUSTMENT RINGS = 20". ALTERNATELY, CONTRACTOR MAY CAST GRADE ADJUSTMENT RINGS IN PLACE.
3. SET ALL BARREL SECTIONS & TAPER SECTIONS IN PLASTIC GASKET, RAM-NEK OR EQUAL. TYPICAL JOINT USE (1) 1/2" 42-1/2" RAM-NEK SEAL OR EQUAL 8" WIDE GROUT BAND ON INSIDE & OUTSIDE.
4. AFTER LOWER RING SECTION IS SET, CUT OUT TOP HALF OF PIPE FLUSH WITH INSIDE FACE OF M.H. WALL AND CONSTRUCT SHELF & U-SHAPED CHANNEL. MAKE ELEVATION CHANGES GRADUALLY AND DIRECTIONAL CHANGES WITH SMOOTH CURVES. SLOPE AND SIZE OF CHANNELS SHALL MATCH UPSTREAM AND DOWNSTREAM PIPES. MANHOLE CHANNELS WITH A HORIZONTAL CHANGE IN DIRECTION OF 30° OR MORE SHALL HAVE A MIN. DROP OF 0.1" ACROSS THE MANHOLE OR SHALL MATCH THE SLOPE OF THE PIPE, WHICHEVER IS GREATER.
5. POURED-IN-PLACE BASE SHALL BE POURED FULL THICKNESS ON UNDISTURBED SOIL. PRECAST BASE SHALL BE PLACED ON 6" MIN. OF DRAIN ROCK INSTALLED AGAINST UNDISTURBED EARTH.
6. STANDARD MANHOLE BARREL SECTION PER ASTM C478, WITH RESILIENT CONNECTORS PER ASTM C923.
7. 48"Ø I.D. M.H. TO BE USED FOR ALL MAINS LESS THAN 18"Ø. 60"Ø I.D. M.H. TO BE USED FOR ALL MAINS 18"Ø TO 48"Ø OR WHERE INSIDE DROP FITTINGS ARE USED.

INSTALL WATERSTOP FOR POURED IN PLACE BASES, IN ACCORDANCE WITH MANUFACTURER'S INSTRUCTIONS AS SHOWN. (TYPICAL)

ECCENTRIC MANHOLE TAPER COVER & GRADE RINGS TO BE LOCATED OVER DOWNSTREAM PIPE.

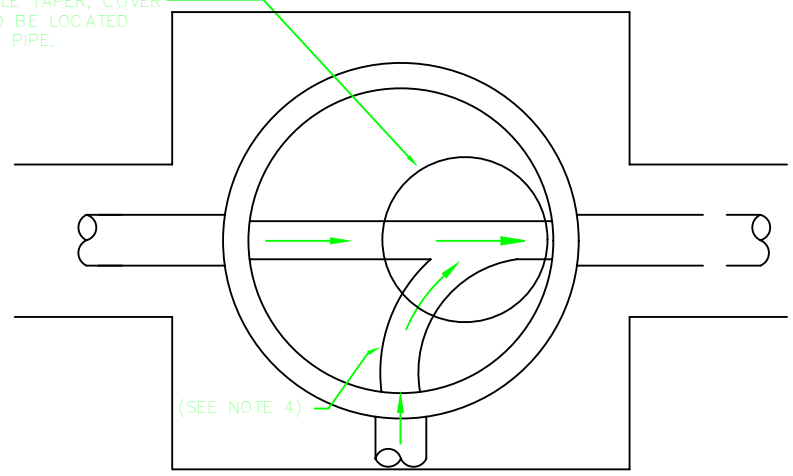


MANHOLE BASE
CHANNELIZATION PLAN AND LOCATION OF ECCENTRIC MANHOLE COVER



INSTALL WATERSTOP FOR POURED IN PLACE BASES, IN ACCORDANCE WITH MANUFACTURER'S INSTRUCTIONS AS SHOWN. (TYPICAL)

ECCENTRIC MANHOLE TAPER, COVER & GRADE RINGS TO BE LOCATED OVER DOWNSTREAM PIPE.



MANHOLE BASE
CHANNELIZATION PLAN AND LOCATION OF
ECCENTRIC MANHOLE COVER

NOTES:

1. WHEN MANHOLES ARE INSTALLED IN UNIMPROVED AREAS, THE TOP OF THE COVER SHALL BE A MIN. OF 6" ABOVE GRADE (1.5" IN DG AREAS). SLOPE @1:2 TO MATCH FINISH GRADE.
2. MIN. OF ONE 3" GRADE ADJUSTMENT RING. MAX. HEIGHT OF GRADE ADJUSTMENT RINGS = 20". ALTERNATELY, CONTRACTOR MAY CAST GRADE ADJUSTMENT RINGS IN PLACE.
3. SET ALL BARREL SECTIONS & TAPER SECTIONS IN PLASTIC GASKET, RAM-NEK OR EQUAL. TYPICAL JOINT USE (1) 1/4"x2-1/2" RAM-NEK SEAL, OR EQUAL 6" WIDE GROUT BAND ON INSIDE & OUTSIDE.
4. AFTER LOWER RING SECTION IS SET, CUT OUT TOP HALF OF PIPE FLUSH WITH INSIDE FACE OF M.H. WALL AND CONSTRUCT SHELF & U-SHAPED CHANNEL. MAKE ELEVATION CHANGES GRADUALLY AND DIRECTIONAL CHANGES WITH SMOOTH CURVES. SLOPE AND SIZE OF CHANNELS SHALL MATCH UPSTREAM AND DOWNSTREAM PIPES. MANHOLE CHANNELS WITH A HORIZONTAL CHANGE IN DIRECTION OF 30° OR MORE SHALL HAVE A MIN. DROP OF 0.1' ACROSS THE MANHOLE OR SHALL MATCH THE SLOPE OF THE PIPE, WHICHEVER IS GREATER.
5. POURED-IN-PLACE BASE SHALL BE POURED FULL THICKNESS ON UNDISTURBED SOIL. PRECAST BASE SHALL BE PLACED ON 6" MIN. OF 1/4" DRAIN ROCK INSTALLED AGAINST UNDISTURBED EARTH.
6. STANDARD MANHOLE BARREL SECTION PER ASTM C478. WITH RESILIENT CONNECTORS PER ASTM C923
7. 48"Ø I.D. M.H. TO BE USED FOR ALL MAINS LESS THAN 18"Ø. 60"Ø I.D. M.H. TO BE USED FOR ALL MAINS 18"Ø TO 48"Ø OR WHERE INSIDE DROP FITTINGS ARE USED.

NOTES TO DESIGN PROFESSIONAL:

1. VERIFY AND EDIT TEXT IN BRACKETS [].