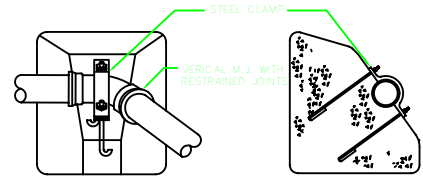


TYPICAL CONCRETE ANCHOR BLOCK FOR VERTICAL BEND



TYPICAL CONCRETE ANCHOR BLOCK FOR COMBINATION
HORIZONTAL - VERTICAL BEND

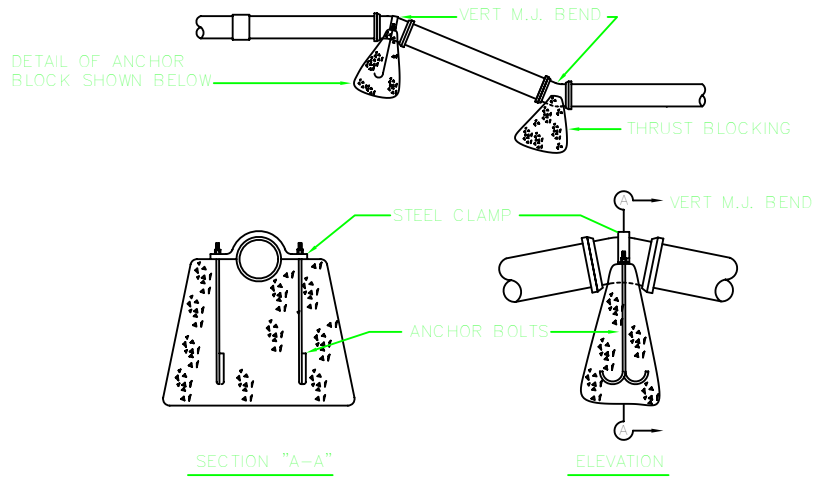
NOTES

1. [THRUST BLOCKS SHALL ONLY BE USED IF CONNECTING TO EXISTING UNRESTRAINED PIPE OR FITTINGS AND BE EXPLICITLY SHOWN ON THE DRAWINGS.]
2. PROVISIONS SHALL BE MADE TO INSURE THAT PIPE JOINTS, FITTINGS AND VALVES ARE NOT COVERED BY THE THRUST BLOCK CONCRETE.
3. CONCRETE ANCHOR BLOCKS SHALL BE INSTALLED BY THE CONTRACTOR TO WITHSTAND A THRUST PRODUCED BY THE TEST PRESSURE PLUS 50 PSI. MINIMUM DIMENSIONS FOR ANCHOR BOLTS AND CLAMPS ARE LISTED IN THE TABLE BELOW.
4. USE ONLY MECHANICAL JOINT RESTRAINED FITTINGS.

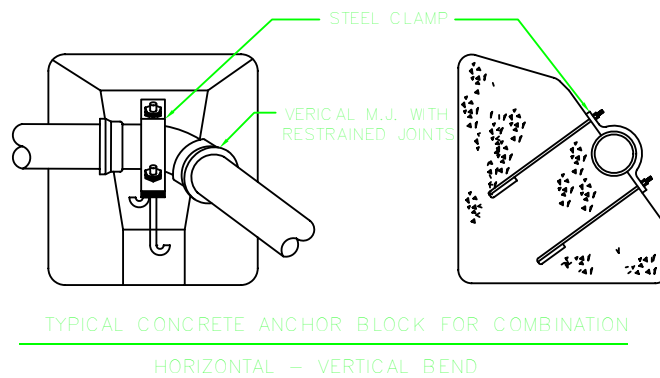
PIPE SIZE	ANCHOR BOLTS	STEEL CLAMPS
4"	5/8"	3" x 1/4"
6"	5/8"	3" x 1/4"
8"	3/4"	3-1/4" x 1/4"
12"	1-1/8"	4" x 1/2"

NOTES TO DESIGN PROFESSIONALS

1. VERIFY AND EDIT TEXT IN BRACKETS [].
2. FOR PIPES GREATER THAN 12", DESIGN ENGINEER MUST SUBMIT CALCULATIONS TO SIZE ANCHOR BOLTS AND CLAMPS.



TYPICAL CONCRETE ANCHOR BLOCK FOR VERTICAL BEND



TYPICAL CONCRETE ANCHOR BLOCK FOR COMBINATION HORIZONTAL - VERTICAL BEND

NOTES:

1. [THRUST BLOCKS SHALL ONLY BE USED IF CONNECTING TO EXISTING UNRESTRAINED PIPE OR FITTINGS AND BE EXPLICITLY SHOWN ON THE DRAWINGS.]
2. PROVISIONS SHALL BE MADE TO INSURE THAT PIPE JOINTS, FITTINGS AND VALVES ARE NOT COVERED BY THE THRUST BLOCK CONCRETE.
3. CONCRETE ANCHOR BLOCKS SHALL BE INSTALLED BY THE CONTRACTOR TO WITHSTAND A THRUST PRODUCED BY THE TEST PRESSURE PLUS 50 PSI. MINIMUM DIMENSIONS FOR ANCHOR BOLTS AND CLAMPS ARE LISTED IN THE TABLE BELOW.
4. USE ONLY MECHANICAL JOINT RESTRAINED FITTINGS.

PIPE SIZE	ANCHOR BOLTS	STEEL CLAMPS
4"	5/8"	3" X 1/4"
6"	5/8"	3" X 1/4"
8"	3/4"	3-1/4" X 1/4"
12"	1-1/8"	4" X 1/2"

NOTES TO DESIGN PROFESSIONAL:

1. VERIFY AND EDIT TEXT IN BRACKETS [].
2. FOR PIPES GREATER THAN 12", DESIGN ENGINEER MUST SUBMIT CALCULATIONS TO SIZE ANCHOR BOLTS AND CLAMPS.