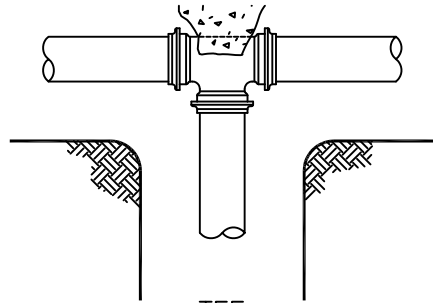
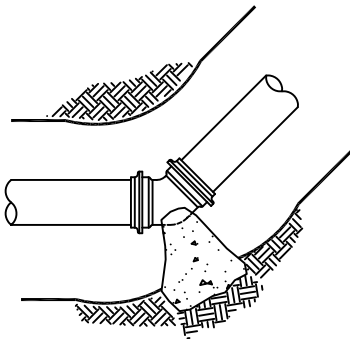


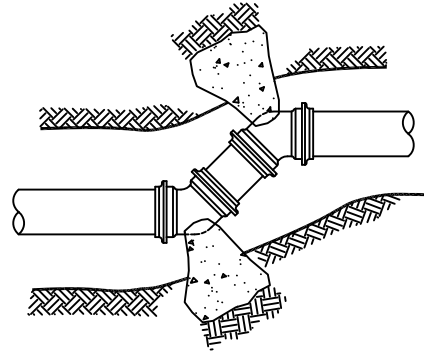
BEND  
TYPICAL CONC. BLOCKING  
SHOWN IN PERSPECTIVE.



TEE



TYPICAL BEND



OFFSET

NOTES:

1. THRUST BLOCKS SHALL ONLY BE USED IF CONNECTING TO EXISTING UNRESTRAINED PIPE OR FITTINGS AND BE EXPLICITLY SHOWN ON THE DRAWINGS, INCLUDING LOCATION AND THRUST BLOCK SIZE.
2. SAFE BEARING LOAD OF SOIL FOR HORIZONTAL THRUST SHALL NOT BE EXCEEDED.
3. CONCRETE BLOCKING, CAST-IN-PLACE, TO EXTEND FROM BELLS OF FITTINGS TO UNDISTURBED SOIL AND ENTIRE BEARING AREA MUST BE AGAINST UNDISTURBED SOIL.
4. IN USING THE THRUST BLOCKING TABLE BELOW, ASSUME 2000 P.S.F. BEARING CAPACITY UNLESS OTHERWISE SHOWN ON THE PLANS.
5. FOR PLUGGED LEG(S) OF TEE OR CROSS USE HARNESS TYPE BLOCKING AND CONCRETE BLOCKING INDICATED IN THE TABLE BELOW.
6. THRUST BLOCKS SHALL BE FORMED ON THE SIDES TO ESTABLISH A DEFINITE SHAPE AND LIMIT ON HEIGHT AND WIDTH SUBJECT TO APPROVAL BY THE UNIVERSITY'S REPRESENTATIVE BEFORE ORDERING CONCRETE. FORMS SHALL BE REMOVED BEFORE BACKFILLING.
7. PROVISIONS SHALL BE MADE TO INSURE THAT PIPE JOINTS, FITTINGS AND VALVES ARE NOT COVERED UNNECESSARILY.

MIN. REQ'D BEARING AREA IN SQ. FT. PER 100 P.S.I. TEST PRESSURE*					
PIPE SIZE	SOIL BEARING CAPACITY (PSF)	TEES & DEAD ENDS	90° BENDS	45° BENDS	22-1/2° BENDS
6"	1000	4	6	3	2
	2000	2	3	2	1
8"	1000	7	10	5	3
	2000	4	5	3	2
12"	1000	16	22	12	6
	2000	8	11	6	3

\* MULTIPLY NO. IN TABLE BY TEST PRESSURE & DIVIDE BY 100

NOTES TO DESIGN PROFESSIONAL:

1. VERIFY AND EDIT TEXT IN BRACKETS [ ].
2. PIPES FOR GREATER THAN 12", DESIGN ENGINEER MUST SUBMIT CALCULATIONS TO SIZE CONCRETE THRUST BLOCKS.
3. THE DESIGN ENGINEER SHALL SPECIFY THRUST BLOCKING REQUIREMENTS FOR ALL OTHER SOIL BEARING CONDITIONS.

<b>UNIVERSITY OF CALIFORNIA, DAVIS</b>		
<b>THRUST BLOCK HORIZONTAL</b>		
REVISION: 2		
SCALE: NONE	DATE: JULY 2011	
DWN: KH CHK: VG	APPROVED	FILE NO. DW-09