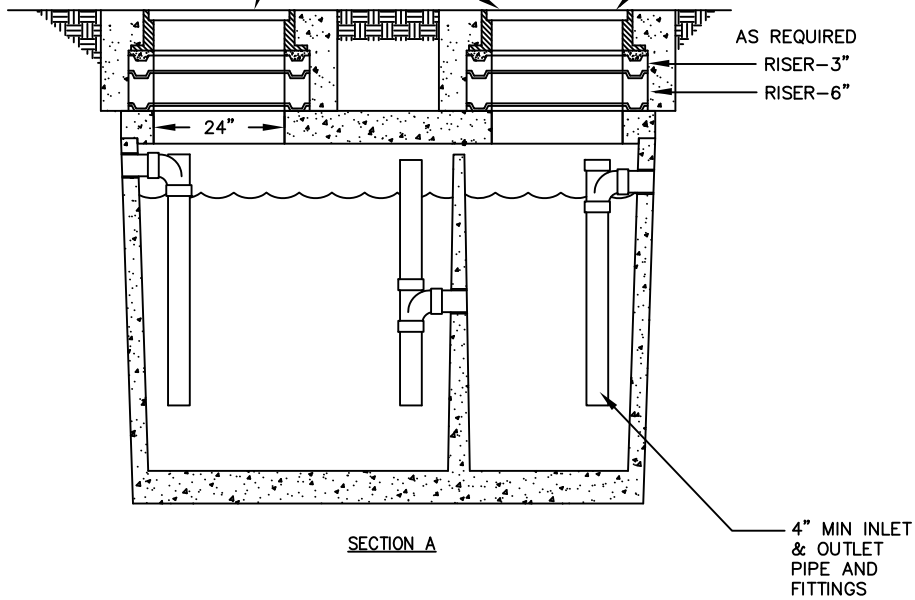
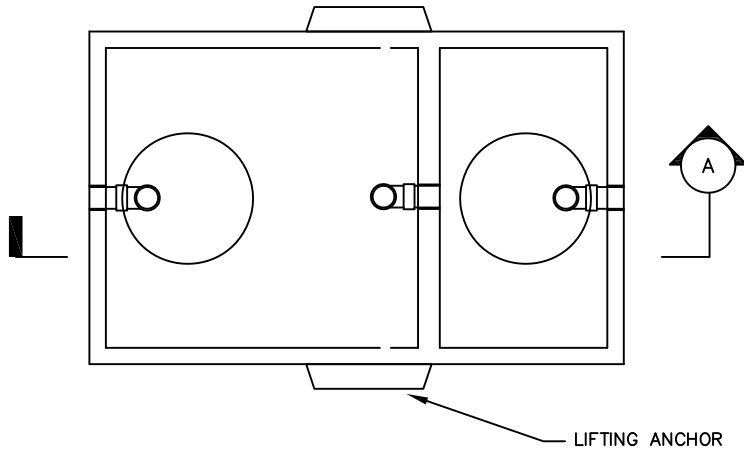


24" CAST IRON FRAME & COVER  
WITH GASKET REFER TO DETAIL  
[SS-01 & SS-02]

TEXT ON MANHOLE SHOULD READ  
"GREASE INTERCEPTOR" TYPICAL OF  
2.



SECTION A



PLAN VIEW  
(COVERS & RISERS NOT SHOWN)

**NOTES:**

1. LIQUID CAPACITY: [AS SPECIFIED BY DESIGN ENGINEER]
2. INLET/OUTLET SIZE: [AS SPECIFIED BY DESIGN ENGINEER]
3. BOX DESIGN LOAD: H-20 TRAFFIC FROM 1' TO 6' OF SOIL COVER.

**NOTES TO DESIGN PROFESSIONAL:**

1. VERIFY AND EDIT TEXT IN BRACKETS [ ].

<b>UNIVERSITY OF CALIFORNIA, DAVIS</b>		
<b>GREASE INTERCEPTOR</b>		
REVISION: 1		
SCALE: NONE	DATE: JULY 08	
DWN: KH	APPROVED	FILE NO.
CHK: VG		SS-05