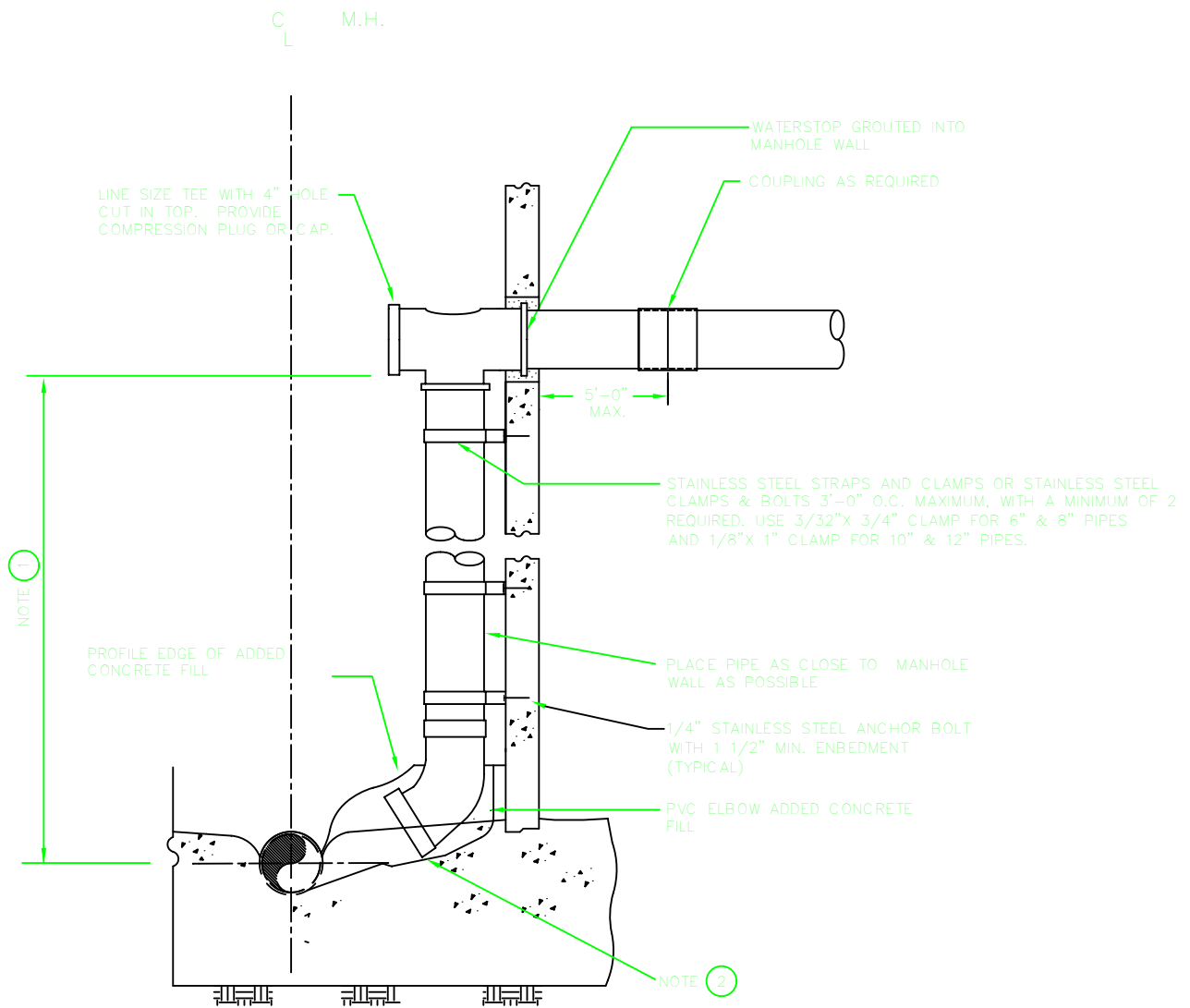


NOTES:

1. PROVIDE PVC DROP PIPE WHEN THE PIPE INVERT IS MORE THAN 24" ABOVE MANHOLE BASE.
2. PROVIDE CHANNEL IN MH BASE TO DIRECT FLOW TO MAIN CHANNEL.
3. MANHOLES CONSTRUCTED USING THIS STANDARD SHALL BE 60" IN DIAMETER AND INSTALLED IN CONFORMANCE WITH DETAIL [SS-01]. USE 72" MH WHERE THERE ARE TWO DROP CONNECTIONS.
4. ENCLOSE ELBOW IN CONCRETE. FORM SMOOTH CHANNEL WITH SWEEP TO MANHOLE FLOWLINE.
5. INSTALL WATERSTOP IN ACCORDANCE WITH MANUFACTURER'S INSTRUCTIONS AS SHOWN.
6. PVC PIPE AND FITTINGS SHALL HAVE SAME NOMINAL SIZE AND SDR RATING AS INCOMING PIPES.



NOTES:

1. PROVIDE PVC DROP PIPE WHEN THE PIPE INVERT IS MORE THAN 24" ABOVE MANHOLE BASE.
2. PROVIDE CHANNEL IN MH BASE TO DIRECT FLOW TO MAIN CHANNEL.
3. MANHOLES CONSTRUCTED USING THIS STANDARD SHALL BE 60" IN DIAMETER AND INSTALLED IN CONFORMANCE WITH DETAIL [SS-01]. USE 72" MH WHERE THERE ARE TWO DROP CONNECTIONS.
4. ENCLOSE ELBOW IN CONCRETE. FORM SMOOTH CHANNEL WITH SWEEP TO MANHOLE FLOWLINE.
5. INSTALL WATERSTOP IN ACCORDANCE WITH MANUFACTURER'S INSTRUCTIONS AS SHOWN.
6. PVC PIPE AND FITTINGS SHALL HAVE SAME NOMINAL SIZE AND SDR RATING AS INCOMING PIPES.

NOTES TO DESIGN PROFESSIONAL:

1. VERIFY AND EDIT TEXT IN BRACKETS [ ].